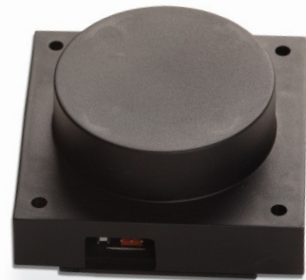




HELIOS™

Owner's Manual *Embedded Solutions*



Low Profile (Model Number: LPIC-L0001)

Puck (Model Number: LPIC-P0001)

Standard Profile (Model Number: LPIC-S0001)





Advisory
&
Safety Information

Advisory

Important Information

READ ALL SAFETY AND INSTALLATION INFORMATION BEFORE USING THIS PRODUCT

SAFETY INFORMATION



DANGER

To reduce the risk of electrical shock:

- Always unplug the appliance from the electrical outlet before removing
- Do not reach for an appliance that has fallen into water – unplug it immediately
- Do not disassemble or modify any part of this appliance
- Do not install this product in any electrically conductive surface



Warning

To reduce the risk of burns, fire, electrical shock, or injury to persons:

- This product should not be used by children or persons with disabilities that may hinder their ability to understand all product information and use the product safely. Close supervision is necessary when this product is used near children or persons with disabilities
- Use this product only for its intended use as described in this manual
- Never operate this product if it has a damaged housing, cord, plug cable, or if wet.
- Keep apparatus away from flame, heated surfaces and liquid.
- Do not operate where aerosol products are being used or oxygen is being administered
- This product is designed for indoor use only. Do not install or use this product outdoors
- Do not use this appliance with an extension cord or overloaded electrical outlet
- Do not place or leave metallic objects between the charging surface and device being charged
- It is recommended that the Helios™ charger be installed to provide 10 cm of separation from persons

IMPORTANT SAFETY INSTRUCTIONS

1. **SAVE THESE INSTRUCTIONS** – This manual contains important safety and operating instruction for inductive chargers Models: LPIC-L0001, LPIC-P0001, LPIC-S0001
2. Before using the inductive charger, read all instructions and cautionary markings on the inductive charger, power supply, and product using the inductive charger
3. **CAUTION** – To reduce risk of injury, charge only Qi-certified products. Other types of inductive charging devices may cause personal injury and damage. Leggett & Platt is not responsible for damage arising from failure to follow instructions relating to the product's use.

FCC & INDUSTRY CANADA COMPLIANCE

This device complies with Part 15 of the FCC Rules and with Industry Canada license-exempt RSS Standard(s). Operation is subject to the following two conditions: (1) this device may not cause harmful interference, and (2) this device must accept any interference received, including interference that may cause undesired operation.

“Le présent appareil est conforme aux CNR d'Industrie Canada applicables aux appareils radio exempts de licence. L'exploitation est autorisée aux deux conditions suivantes: (1) l'appareil ne doit pas produire de brouillage, et (2) l'utilisateur de l'appareil doit accepter tout brouillage radioélectrique subi, même si le brouillage est susceptible d'en compromettre le fonctionnement.”

Changes or modifications not expressly approved by Leggett & Platt, Incorporated could void the user's authority to operate the equipment.

This equipment has been tested and found to comply with the limits for a Class B digital device, pursuant to Part 15 of the FCC Rules. These limits are designed to provide reasonable protection against harmful interference in a residential installation. This equipment generates, uses, and can radiate radio frequency energy, and, if not installed and used in accordance with the instructions, may cause harmful interference to radio communications. However, there is no guarantee that interference will not occur in a particular installation. If this equipment does cause harmful interference to radio or television reception, which can be determined by turning the equipment off and on, the user is encouraged to try to correct the interference by one or more of the following measures:

- Reorient or relocate the receiving antenna
- Increase the separation between the equipment and receiver
- Connect the equipment into an outlet on a circuit different from that to which the receiver is connected
- Consult the dealer or an experienced radio/TV technician for help

This Class B digital apparatus complies with Canadian ICES-003.

Cet appareil numérique de la classe B est conforme à la norme NMB-003 du Canada.

“Under Industry Canada regulations, this radio transmitter may only operate using an antenna of a type and maximum (or lesser) gain approved for the transmitter by Industry Canada. To reduce potential radio interference to other users, the antenna type and its gain should be so chosen that the equivalent isotropically radiated power (e.i.r.p.) is not more than that necessary for successful communication.”

“Conformément à la réglementation d'Industrie Canada, le présent émetteur radio peut fonctionner avec une antenne d'un type et d'un gain maximal (ou inférieur) approuvé pour l'émetteur par Industrie Canada. Dans le but de réduire les risques de brouillage radioélectrique à l'intention des autres utilisateurs, il faut choisir le type d'antenne et son gain de sorte que la puissance isotrope rayonnée équivalente (p.i.r.e.) ne dépasse pas l'intensité nécessaire à l'établissement d'une communication satisfaisante.”

EUROPEAN DECLARATION OF CONFORMITY

We, Leggett & Platt, One Leggett Rd. Carthage, MO 64836, USA, declare under our sole responsibility that the product

Helios Standard LPIC-S0001
Helios Puck LPIC-P0001
Helios Lo-Profile LPIC-L0001

to which this declaration relates is in conformity with the following standard(s) or other normative document(s)

EN 300 330-2 V1.5.1
EN 310 489-3 V1.4.1
EN 301 489-1 V1.8.1
EN 5011:2007/A2:2007-Group 2, Class B
EN 61000-6-1:2007
EN 60950-1:2001

Following the provisions of Electromagnetic Compatibility, R&TTE Emissions and Safety directive(s).
The Technical Construction File is maintained at:

Leggett & Platt, INCORPORATED

Idea Center

1914 S. Baker

Carthage, MO 64836 USA

SAFETY CONSIDERATIONS FOR INSTALLERS



Do not open the charger housings or make modifications to the Helios™ charger or components unless expressly approved in writing by an authorized representative of Leggett & Platt, Incorporated.

During Installation

- **DO NOT** connect this charger to an electrical outlet until:
 1. **ALL** other electrical connections are made
 2. Mounting of **ALL** components is complete
- **DO NOT** install equipment or route wiring cords in the path of any walkways or moving components
- When drilling into the work surface, **DO** make sure that both sides of the surface are clear of anything that could be damaged

After Installation

- Test the charging mount to ensure that it is working properly (see LED Indicator Lighting)
- File these instructions in a safe place and refer to them when performing maintenance or re-installing

Failure to follow all safety precautions and instructions may result in death, serious injury, or property damage. The product purchaser and installer assume sole responsibility for such precautions and instructions and for any failure to follow them.

Disclaimer

By proceeding with installation of Helios™ components, the purchaser and installer agree that: (i) L&P is not liable under any theory of contract, tort law, or otherwise for any loss, damage, death, personal injury, special, incidental, or consequential damages, or any other damage of any nature arising directly or indirectly from or relating to the improper installation or use of L&P products or components in residential or office furniture or any other application; and (ii) the purchaser and installer will defend, indemnify, protect, and hold harmless L&P and each of its affiliates, officers, directors, agents, and employees from and against any such liability, claims, injuries, losses, and damages. In order to safely install and use L&P products and components, full consideration of the work environment (e.g., location of electrical wiring, support members, surface thicknesses, and other electrical and structural components) is required. L&P disclaims responsibility for improper use or installation of products or components and use or installation not consistent with the original manufacturer specifications and recommendations (if any) for such products or components.

90-Day Limited Warranty

In this warranty: “**Component**” means only the Helios™ charger sold by L&P, and does not include any other product or accessory. “**L&P**” means Leggett & Platt, Incorporated. “**Purchaser**” and “**You**” both mean only the original retail purchaser of the Component in new and unused condition. This warranty is not transferrable or assignable, and does not extend to any subsequent purchaser or any other person or user. “**Warranty Period**” means only the first ninety (90) days after You purchase the Component in new and unused condition, beginning on and inclusive of the date of purchase.

L&P warrants to You that, during the Warranty Period and subject to the limitations and exclusions stated herein, the Component will be free of manufacturing defects in material or workmanship to the extent such defects, if any, were caused by L&P. This is a limited warranty, and it will expire automatically upon the expiration of the Warranty Period. In no event will this warranty extend for any period beyond the first ninety (90) days from and including the date on which You purchased the Component. No repair or replacement of the Component under this warranty shall renew or extend the Warranty Period.

ANY CLAIM UNDER THIS WARRANTY MUST BE SUBMITTED, IN WRITING, TO L&P WITHIN THE WARRANTY PERIOD AND IN THE MANNER DESCRIBED HEREIN. All warranty claims require that You give written notice to L&P, and that L&P receive such notice, within the Warranty Period. Warranty claims must be addressed to L&P as follows:

**Leggett & Platt, Incorporated
PO Box 609
Carthage, MO 64836**

Following timely receipt of a warranty claim, if L&P determines that the warranty claim is valid and that a Component is defective because of a breach by L&P of this warranty, then L&P’s sole obligation will be, at its option, to either (i) repair or replace any such defective Component without charge except for transportation, shipping and handling costs, or (ii) issue to You a refund of the purchase price You paid for the Component, subject to You furnishing such proof of payment as L&P may require. To the fullest extent permitted by applicable law, the remedy specified in this paragraph will be the sole and exclusive remedy of Purchaser for any breach of this warranty. **IN NO EVENT SHALL L&P BE LIABLE FOR (A) SPECIAL, INDIRECT, INCIDENTAL OR CONSEQUENTIAL DAMAGES, OR (B) DAMAGES IN EXCESS OF THE ORIGINAL PURCHASE PRICE OF THE PRODUCT.**

This warranty is exclusive and in lieu of all other express warranties, oral or written. Other than an authorized officer of L&P, no employee or agent of L&P nor any other person has the authority to modify this warranty. **OTHER THAN THE EXPRESS WARRANTY STATED HEREIN AND ANY IMPLIED WARRANTIES IF REQUIRED BY LAW, L&P MAKES NO WARRANTIES OF ANY KIND. TO THE EXTENT PERMITTED BY LAW, L&P DISCLAIMS ANY OTHER WARRANTIES, EXPRESS OR IMPLIED, INCLUDING ANY IMPLIED WARRANTY OF MERCHANTABILITY OR FITNESS FOR A PARTICULAR PURPOSE; PROVIDED, THAT TO THE EXTENT APPLICABLE LAW DOES NOT ALLOW DISCLAIMER OF ANY PARTICULAR IMPLIED WARRANTY, SUCH WARRANTY IS LIMITED IN DURATION AND OTHERWISE TO THE EXPRESS WARRANTY SET FORTH HEREIN AND IS SUBJECT TO THE SAME LIMITATIONS HEREIN.**

Some states and jurisdictions do not allow limitations on how long an implied warranty lasts, so the above limitation may not apply to You. Some states and jurisdictions do not allow the exclusion or limitation of special, incidental or consequential damages, so the above limitations may not apply to You. This warranty gives you specific legal rights, and you may also have other rights which vary by state or jurisdiction. This warranty does not apply to sales outside the United States.

EXCLUSIONS: This warranty does not cover or apply to any damage, loss, defect, or malfunction arising from or related to (i) improper use, care, assembly or service; (ii) transportation, shipping or handling; (iii) institutional or commercial use; (iv) misuse, negligence, alteration or unauthorized repair; (v) improper installation, storage, cleaning, or maintenance; (vi) acts of God; or (vii) acts or omissions of any person or entity other than L&P, including any damage caused by You or any person other than L&P. This warranty will be void if there has been any repair, replacement, modification, or installation of the Component by any person not authorized in writing by L&P, or if the Component has been mishandled (whether in transit or by other means), subjected to physical or electrical abuse or misuse, or otherwise operated, installed, or used in any manner inconsistent with the operation and procedures outlined in this Manual and this warranty. This warranty will be void if You sell, give or transfer the Component to another person.

Power Supply Information

These Helios™ inductive chargers are supplied with a Class II power supply having the following specifications:

Output Voltage: 19VDC 520mA

Input Voltage: 100 – 240VAC 50-60Hz

Operating Temperature: -5°C - +40°C

Operating Humidity: 30% - 85%

Energy Star Rating: V

Country of Origin: China



Under no circumstances should a power supply be used other than that originally provided with the Helios™ product.

2

Install

Installation Instructions

Important: Carefully read all safety & installation instructions before beginning installation.

Step 1: What's in the box

Before discarding any packaging materials, check the Helios™ shipping carton and verify the following items are included:

(1) Helios™ charger enclosure. (All three models are shown below for clarity.)



LPIC-L0001



LPIC-P0001



LPIC-S0001



(1) Power Supply



(1) LED Cord

Step 2: Confirm all components are operational

Make sure the Helios™ charger is operational with your Qi-certified device before installing.

Connect the power supply and LED cord to the Helios™ unit as shown in Figures 10, 11, and 12. Pay particular attention to the orientation of the “clip” on the Helios™ PCB and the tab on the mating Molex connectors.

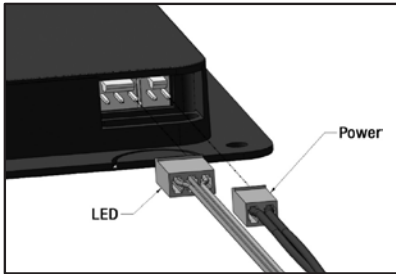


Figure 10 (LPIC-L0001)

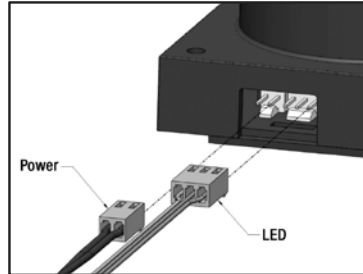


Figure 11 (LPIC-S0001)

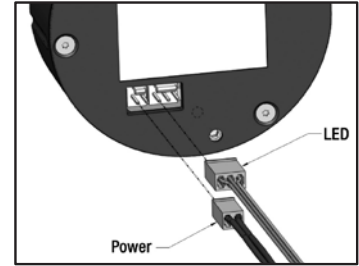
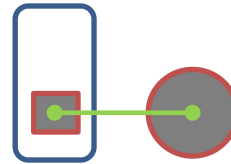


Figure 12 (LPIC-P0001)

Place your Qi-certified device on top of the Helios™ unit to confirm it will charge.

Keep in mind that the battery area of your device must be close to the center of the Helios™ unit to make the charging connection.



- Check the LED harness connection for proper fit (see LED Connection)
- Check the Power Supply connection for proper fit (see Power Supply Connection)

Step 3: Confirm the Placement of the Components

With the power supply and LED connected to the Helios™ unit, determine where your Helios™ unit will be embedded, considering the “Embed Helios” details in Step 4. Confirm the power supply cord will reach the electrical outlet. Determine where the LED will be located. Confirm there are no obstructions.

Warning

The Helios™ charger should be positioned on the work surface where the provided power supply can reach an electrical outlet without interfering with walkways or moving components. The Helios™ charger should not be installed in any electrically conductive work surface.

Step 4: Embed Helios™



NOTE

All schematics show measurements in both millimeters and inches; brackets [] denote inches.

Embed the Helios™ charger in a recessed pocket that allows the charger to be mounted .063 inches from the charging surface and the top face of the Helios™ unit (see Figure 1). The recessed pocket should be created using best practices for the intended material.

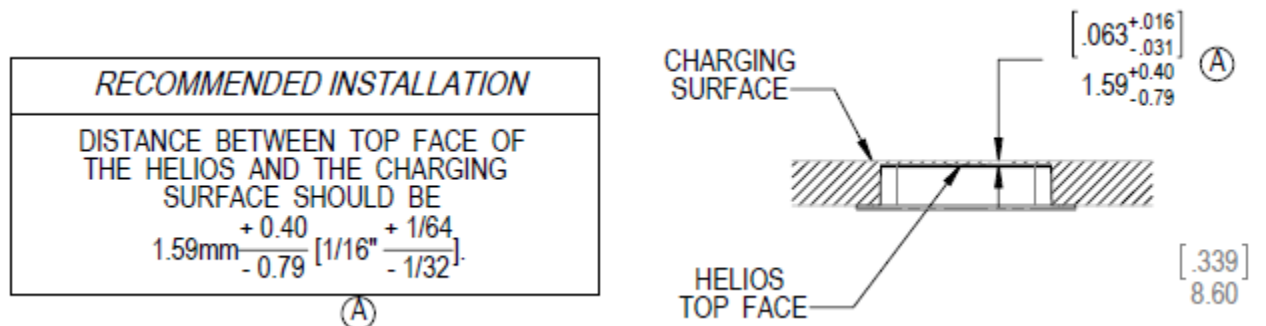


Figure 1

Step 5: Place the LED

The supplied LED indicator requires a thru hole, and in some cases a counter bore, and should be located within 10 inches of the connection point to the Helios™ charger (see Figures 1, 6, and 9). Consideration and implementation of cord management should be used when installing the LED and in some cases the power supply. (See Figure 2.)

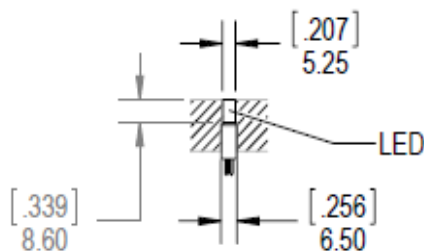


Figure 2

Step 6: Secure the unit (Specifics for your model type are shown below.)

MODEL NUMBER LPIC-L0001



This Helios™ charger requires (6) #6 x 1/2" Phillips round-head wood screws (not included) to be inserted into the provided holes to hold the charger in place, assuming the work surface is 3/4 inch thick.). **Special consideration for the screw size must be taken by the installer. If your work surface thickness is a measurement other than 3/4" thick, use a screw length that will insure the screw does not pierce through the top of the work surface**

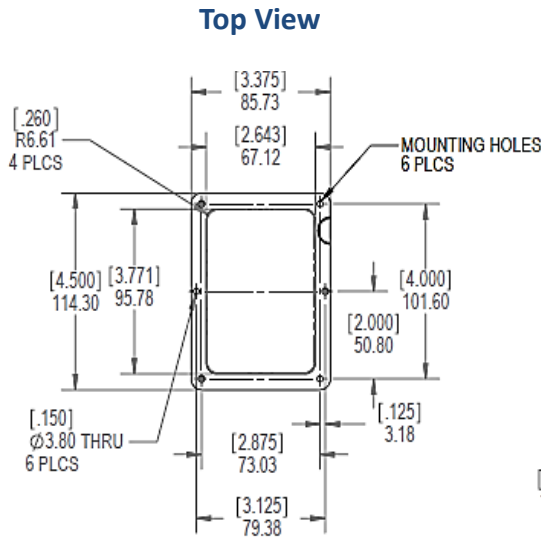


Figure 3

Side View

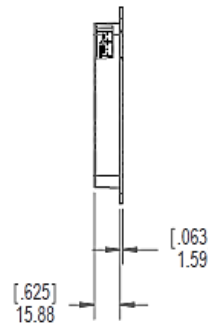


Figure 4

MODEL NUMBER LPIC-P0001



This Helios™ charger requires a 3/32" hex wrench (not included) to secure the charger in place. After installing the Helios™ charger to the desired depth (see Figure 1), tighten the three hex-head screws until the wedge nuts are securely in place (see Figures 5 and 6).

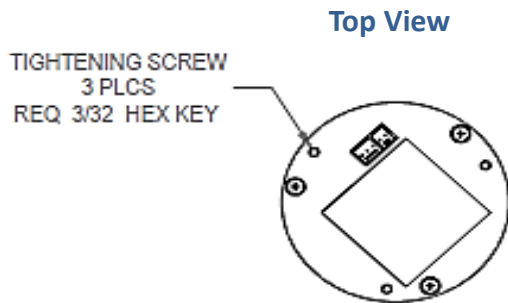


Figure 5

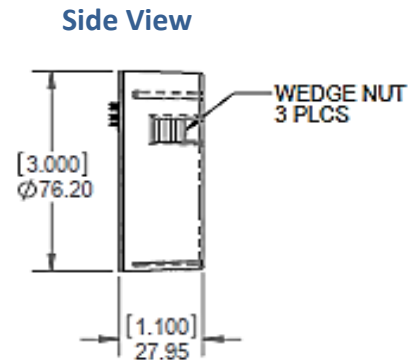


Figure 6

MODEL NUMBER LPIC-S0001



This Helios™ charger requires (4) #6 x 1-1/4" Phillips round-head wood screws (not included) to be inserted into the provided holes to hold the charger in place, assuming the work surface is 3/4 inch thick (see Figure 9). **Special consideration for the screw size must be taken by the installer. If your work surface thickness is a measurement other than 3/4" thick, use a screw length that will insure the screw does not pierce through the top of the work surface.**

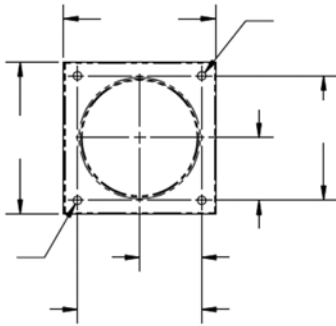


Figure 7

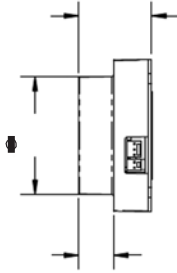


Figure 8

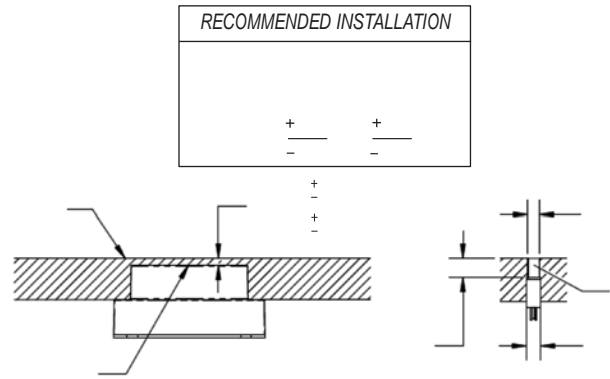


Figure 9

(Measurements are Identical to Figure 1.)

Status Light

The Helios™ unit is equipped with a LED indicator light to communicate the charging state of the item you wish to charge (e.g., “Secondary device”). The LED has four states: Green, Amber/Yellow, Red, and Off. Each state communicates the following:

LED is Off = Helios™ charger is not charging

- No secondary device is present
- Secondary device is incompatible with the Helios™ charger
- Secondary device is not properly aligned
- Power supply is not properly attached to the Helios™ charger
- Power supply is not plugged into electrical outlet

LED is Green = Helios™ charger is not charging and the secondary device is fully charged

- Secondary device battery is fully charged
- Secondary device coils are aligned and not charging

LED is Amber/Yellow = Helios™ charger is charging

- Secondary device battery is receiving a charge
- Secondary device coils are aligned

LED is Red = Error in charging

- Secondary device battery is not receiving a charge
- Secondary device coils are aligned, but there is a fault in either the Helios™ charger or the secondary device
- Helios™ charger is over temperature



To reduce risk of injury, charge only Qi-certified products. Other types of inductive charging devices may cause personal injury and damage and will not operate with the Helios™ inductive charger.

Leggett & Platt package graphics and other marks are trademarks of Leggett & Platt Inc. All other brand names are trademarks of their respective owners. Leggett & Platt Inc. is not affiliated with the respective owners of their trademarks. Helios™ is a trademark of Leggett & Platt Inc. All rights reserved.

*Qi and the Qi symbol are trademarks of the Wireless Power Consortium.
Qi is the universal standard for inductive charging. Qi-enabled devices will work with Qi chargers.*